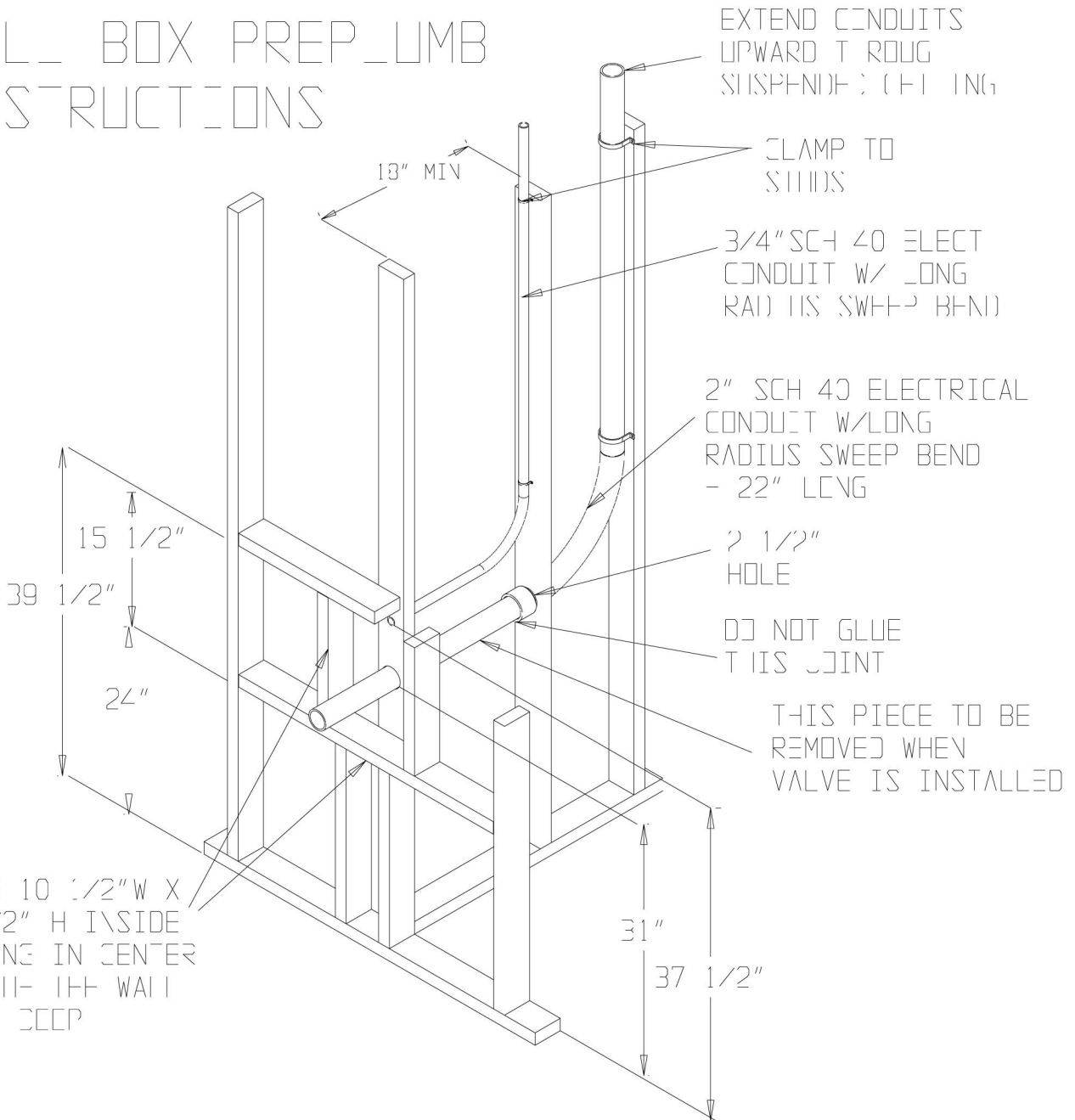


WALL BOX PREP_UMB INSTRUCTIONS



1524 Highway 18 W. Clear Lake, IA 50428

641.357.9274 - Office 641.357.0658 - Fax info@easiwash.com - E-mail www.easiwash.com - Web